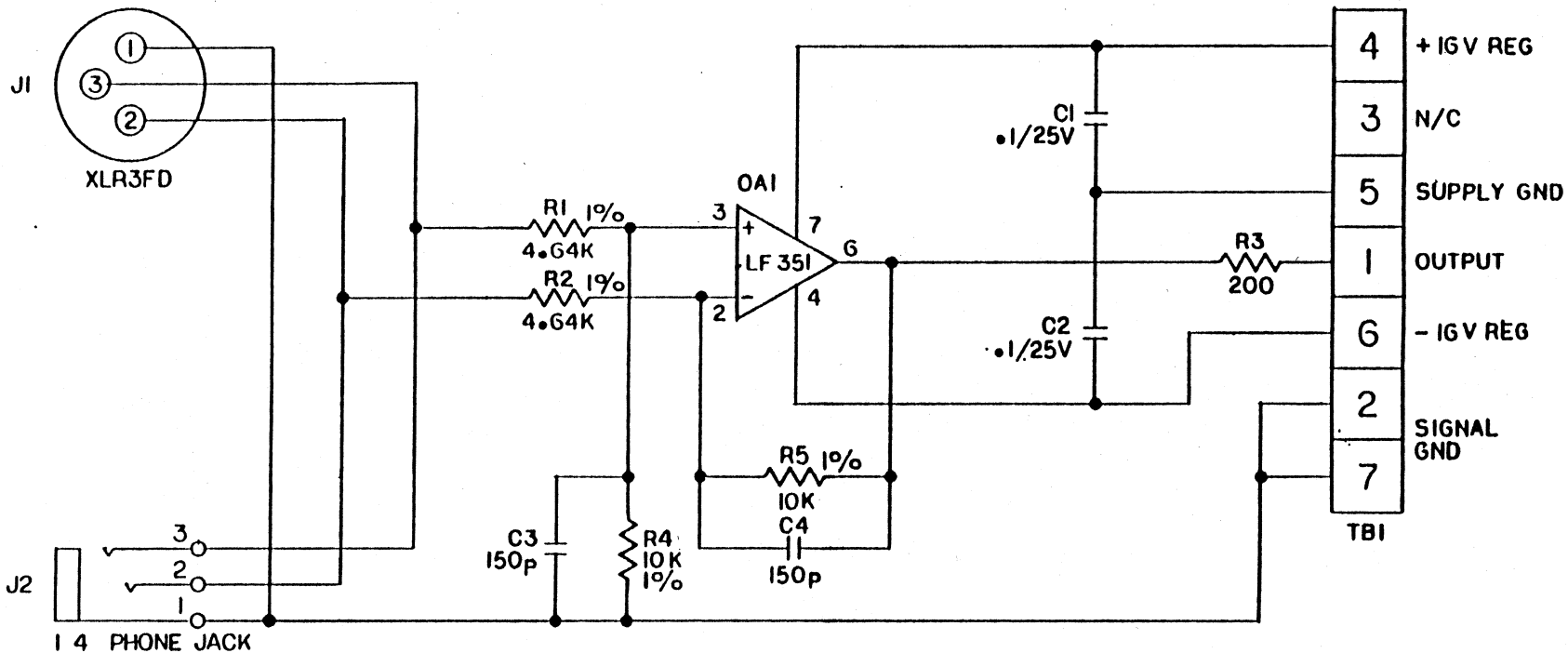


NOTES:		REV	ECO	DESCRIPTION	DATE
1	COMPONENT SIDE UP				
2	MOUNT TO HEATSINK & SOLDER SIDE OF P.C.B. & Q1-3 & 6-13				
3	R10.D.I.T., DETERMINE IN TEST				
<b>DALLAS MUSIC INDUSTRIES</b> DALLAS, TEXAS 75243					
DATE: 1-21-84 BY: [Signature] CHECKED BY: [Signature]		<b>CUSTOMER:</b> MODEL 25000 & 25016 BRASS POWER AMPLIFIER			
TITLE: [Blank] PART NO: [Blank]		<b>ISSUED BY:</b> [Blank]			
DRAWN BY: [Blank]		<b>SCALE:</b> 1:1 (DO NOT SCALE DRAWING)			

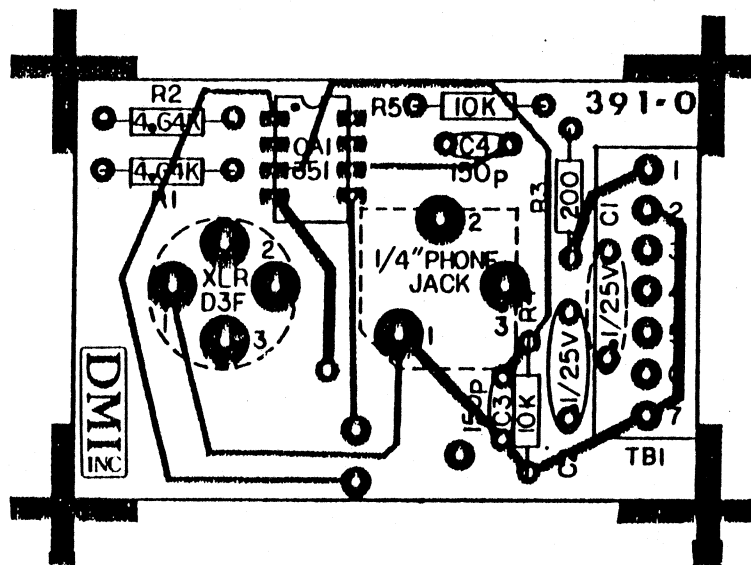


**NOTES:**

- 1) PINS 2 & 3 ARE BALANCED,  
PINS 1 & 3 ARE UNBALANCED  
ON BOTH 3-PIN CONNECTORS

LAST REF DES		REV	ECO	DESCRIPTION	DATE
USED	NOT USED				
C4					
R5					
OA1					
TBI					

DALLAS MUSIC INDUSTRIES HAWTHORNE, N.J. 07506			
DWN.: JJD	DATE: 1/18/82	CREST:	
APP: <i>[Signature]</i>	DATE: 1-20-82	MODEL "8" SERIES POWER AMPLIFIERS	
TOL: 1.02	± 1°	INPUT P.C.B.	
RES: 2.01	FRACT: 1/84	SCHEMATIC	
MATL:			
FINISH:		DWG. No.: 2102391	REV: 00
SCALE: --		DO NOT SCALE DRAWING	



**NOTES:**

- 1) COMPONENT SIDE UP
- 2) XLR & PHONE CONNECTORS MOUNT TO CHASSIS & SOLDER SIDE OF P.C.B.
- 3) MOUNT CI ON SOLDER SIDE

REV	ECO	DESCRIPTION	DATE

<b>DALLAS MUSIC INDUSTRIES</b> HAWTHORNE, N.J. 07508			
DWN.: JJD	DATE: 1/15/82	CRST:	
APP: <i>[Signature]</i>	DATE: 1-20-82	MODEL "S" SERIES POWER AMPLIFIERS	
TOL: RS: ±.02    L: ±1° RHS: ±.01    FRACT: 1/64		INPUT P.C.B.	
MATL.:		ASSEMBLY DWG.	
FINISH:		DWG. No.: 2202391	REV.: 00
		SCALE: 2:1	DO NOT SCALE DRAWING



